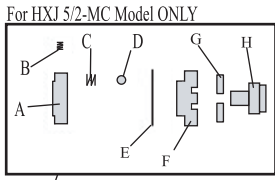
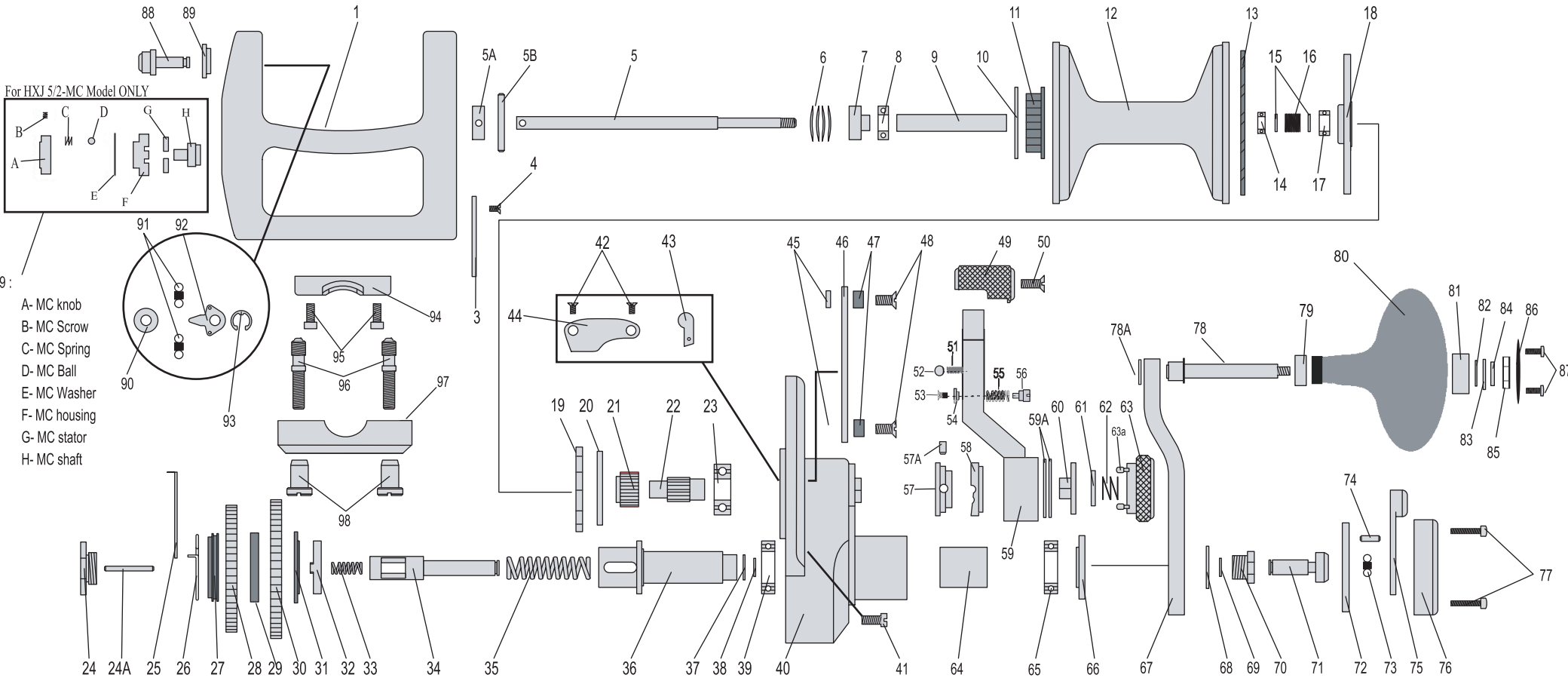


# Models HXJ 5/2 Parts List

# Models HXJ 5/2-MC Parts List (rev. 06-09)



- 99: MC ASSY
- A- MC knob
  - B- MC Screw
  - C- MC Spring
  - D- MC Ball
  - E- MC Washer
  - F- MC housing
  - G- MC stator
  - H- MC shaft

1 - Main Housing	HX5/2-001	16 - Spool Spring	HX5/2-016	32 - Fork	HX5/2-032	50 - Knob Screw	HX5/2-050	65 - Drive Shaft Bearing (2 req.)	HX5/2-065	82 - Washer	HX5/2-082
2 - N/A	N/A	17 - Break Bearing	HX5/2-017	33 - Fork Spring	HX5/2-033	51 - Lever Ball Spring	HX5/2-051	66 - Drive Shaft Washer	HX5/2-066	83 - Lock Washer	HX5/2-083
3 - Gear cover	HX5/2-003	18 - Break Disk	HX5/2-018	34 - Pusher	HX5/2-034	52 - Lever Ball	HX5/2-052	67 - Crank Arm	HX5/2-067	84 - Spring Washer	HX5/2-084
4 - Cover Screw (2 req.)	HX5/2-004	19 - Antireverse Gear	HX5/2-019	35 - Pusher Spring	HX5/2-035	53 - Lever Screws	HX5/2-053	68 - Crank Arm Washer	HX5/2-068	85 - Nut	HX5/2-085
5 - Spool Shaft	HX5/2-004	20 - Retaining Ring	HX5/2-020	36 - Drive Shaft	HX5/2-036	54 - Lever Bush	HX5/2-054	69 - Push Knob E-clip	HX5/2-069	86 - Handle Cap Knob	HX5/2-086
5A - Shaft Shoulder	HX5/2-005A	21 - Large Pinion Gear	HX5/2-021	37 - Pusher Washer	HX5/2-037	55 - Spring	HX5/2-055	70 - Crank Arm Nut	HX5/2-070	87 - Cap Screws (2 req.)	HX5/2-087
5B - Shaft Pin	HX5/2-005B	22 - Small Pinion Gear	HX5/2-022	38 - Pusher E-Clip	HX5/2-038	56 - Strike Bypass Button	HX5/2-056	71 - Push Knob	HX5/2-071	88 - Clicker Pin	HX5/2-088
6 - Belleville Washers (4 req.)	HX5/2-006	23 - Pinion Bearing	HX5/2-023	39 - Drive Shaft Bearing (2 req.)	HX5/2-039	57 - Male Cam	HX5/2-057	72 - Lock Plate	HX5/2-072	89 - Clicker Housing	HX5/2-089
7 - Pusher Bushing	HX5/2-007	24 - Drive Shaft Stop Nut	HX5/2-024	40 - End Housing	HX5/2-040	57A - Male Cam Pin (3 req.)	HX5/2-057A	73 - Release Arm Spring	HX5/2-073	90 - Clicker Washer	HX5/2-090
8 - Spool Bearing	HX5/2-008	24A - Stop Nut Pin	HX5/2-024A	41 - End Housing Screws (3 req.)	HX5/2-041	58 - Female cam	HX5/2-058	74 - Spring Pin	HX5/2-074	91 - Clicker Spring (2 req.)	HX5/2-091
9 - Spool Tube	HX5/2-009	25 - Connection Arm	HX5/2-025	42 - Dog Cover Screws (2 req.)	HX5/2-042	59 - Lever Arm	HX5/2-059	75 - Release Arm	HX5/2-075	92 - Clicker Arm	HX5/2-092
10 - Clicker Gear Retainer Ring	HX5/2-010	26 - Friction Ring	HX5/2-026	43 - Dog	HX5/2-043	59A - Teflon Washer (2 req.)	HX5/2-059A	76 - Push Knob Cover	HX5/2-076	93 - Pin-E-Clip	HX5/2-093
11 - Clicker Gear	HX5/2-011	27 - Washer LF	HX5/2-027	44 - Dog Cover	HX5/2-044	60 - Drive Washer	HX5/2-060	77 - Cover Screws (2 req.)	HX5/2-077	94 - Rod Mount	HX5/2-094
12 - Spool	HX5/2-012	28 - Drive Shaft Gear Small	HX5/2-028	45 - Spacer (3 req.)	HX5/2-045	61 - Preset Washer	HX5/2-061	78A - Handle Shaft Washer	HX5/2-078A	95 - Bolts (2 req.)	HX5/2-095
13 - Brake Pad	HX5/2-013	29 - Washer MDL	HX5/2-029	46 - Slide Plate	HX5/2-046	62 - Preset Spring	HX5/2-062	78 - Handle Shaft	HX5/2-078	96 - Rod Mount Studs	HX5/2-096
14 - Spool Bearing	HX5/2-014	30 - Drive Shaft Gear Large	HX5/2-030	47 - Lever Arm Stopper	HX5/2-047	63 - Preset Knob	HX5/2-063	79 - Handle Shaft Bearing	HX5/2-079	97 - Lower Rod Mount	HX5/2-097
15 - Spool Spring (2 req.)	HX5/2-015	31 - Washer RT	HX5/2-031	48 - Plate Screws (3 req.)	HX5/2-048	63A - Preset Knob Detent (2 req.)	HX5/2-063A	80 - Knob Handle	HX5/2-080	98 - Rod Mount Nut	HX5/2-098
				49 - Lever Knob	HX5/2-049	64 - Drive Shaft Tube	HX5/2-064	81 - Handle Knob Bearing	HX5/2-081	99 - MC ASSY	HX5/2-099