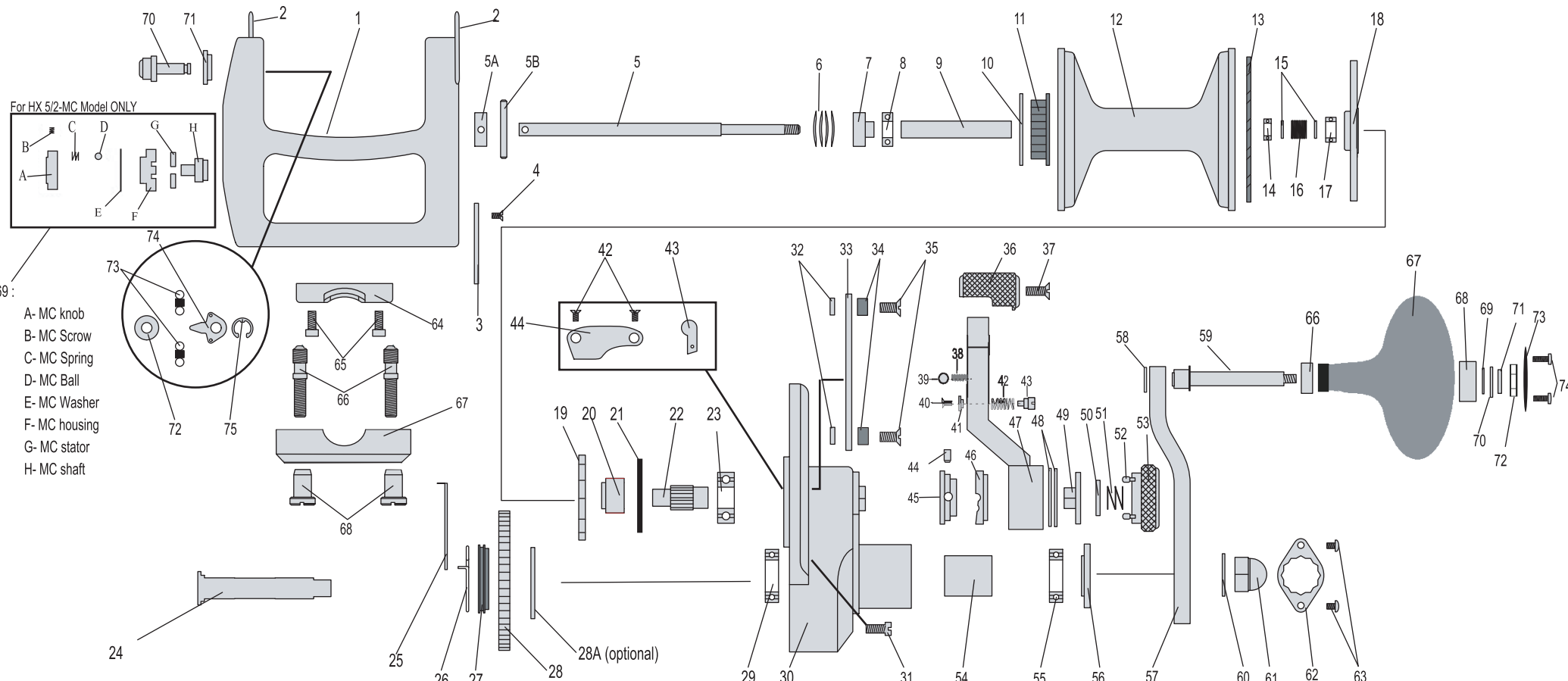


# Models HX 4.2 Parts List

## Models HX 4.2-MC Parts List



1 - Main Housing	HX4.2-001	16 - Spool Spring	HX4.2-016	31 - End Housing Screw	HX4.2-032	49 - Drive Washer	HX4.2-049	67 - Reel Foot Clamp	HX4.2-067
2 - Harness Lag (2 req.)	HX4.2-002	17 - Break Bearing	HX4.2-017	32 - Spacer (3 req)	HX4.2-033	50 - Preset Washer	HX4.2-050	68 - Reel Foot Nut	HX4.2-068
3 - Gear cover	HX4.2-003	18 - Break Disk	HX4.2-018	33 - Slide Palet	HX4.2-033	51 - Preset Spring	HX4.2-051	69 - MC ASSY	HX4.2-069
4 - Cover Screw (2 req.)	HX4.2-004	19 - Antireverse Gear	HX4.2-019	34 - Lever Arm Stoper (2 req)	HX4.2-034	52 - Preset Knob Detent (2 req)	HX4.2-052	70 - Clicker Pin	HX4.2-070
5 - Spool Shaft	HX4.2-004	20 - Large Pinion Gear	HX4.2-020	35 - Palet Screw (3 req)	HX4.2-035	53 - Preset Knob	HX4.2-053	71 - Clicker Housing	HX4.2-071
5A- Shaft Shoulder	HX4.2-005A	21 - Retaining Ring	HX4.2-021	36 - Lever Knob	HX4.2-036	54 - Drive Shaft tube	HX4.2-054	72 - Pin Washer	HX4.2-072
5B- Shaft Pin	HX4.2-005B	22 - Small Pinion Gear	HX4.2-022	37 - Knob Screw	HX4.2-037	55 - Drive Shaft Bearing	HX4.2-055	73 - Clicker Spring (2 req)	HX4.2-073
6 - Belleville Washers (4 req.)	HX4.2-006	23 - Pinion Bearing	HX4.2-023	38 - Lever Bal Spring	HX4.2-038	56 - Drive Shaft Washer	HX4.2-056	74 - Clicker Arm	HX4.2-074
7 - Pusher Bushing	HX4.2-007	24 - Drive Shaft Stop Nut	HX4.2-024	39 - Lever Bal	HX4.2-039	57 - Crank Arm	HX4.2-057	75 - Pin-E-Clip	HX4.2-075
8 - Spool Bearing	HX4.2-008	24 - Drive Shaft	HX4.2-024A	40 - Lever Screw	HX4.2-040	58 - Handel Shaft Washer	HX4.2-058		
9 - Spool Tube	HX4.2-009	25 - Connection Arm	HX4.2-025	41 - Lever Bush	HX4.2-041	59 - Handel Shaft	HX4.2-059		
10 - Clicker Gear Retainer Ring	HX4.2-010	26 - Friction Ring	HX4.2-026	42 - Spring	HX4.2-042	60 - Crank Arm Washer	HX4.2-060		
11 - Clicker Gear	HX4.2-011	27 - Friction Washer	HX4.2-027	43 - Strike Bypass Button	HX4.2-043	61 - Acorn Nut	HX4.2-061		
12 - Spool	HX4.2-012	28 - Drive Shaft Gear	HX4.2-028	44 - Mal Cam Pin (3 req.)	HX4.2-044	62 - Locking Plate	HX4.2-062		
13 - Brake Pad	HX4.2-013	28A - Drive Shaft Washer	HX4.2-029	45 - Male Cam	HX4.2-045	63 - Locking Plate screw (2 req)	HX4.2-063		
14 - Spool Bearing	HX4.2-014	29 - Drive Shaft Bearing (2 req.)	HX4.2-030	46 - Female Cam	HX4.2-046	64 - Reel Foot	HX4.2-064		
15 - Spool Spring Washer (2 req.)	HX4.2-015	30 - End Housing	HX4.2-031	47 - Lever Hand	HX4.2-047	65 - Reel Foot Screw (2 req)	HX4.2-065		
				48 - Teflon Washer (2 req)	HX4.2-048	66 - Reel Foot studs (2 req)	HX4.2-066		