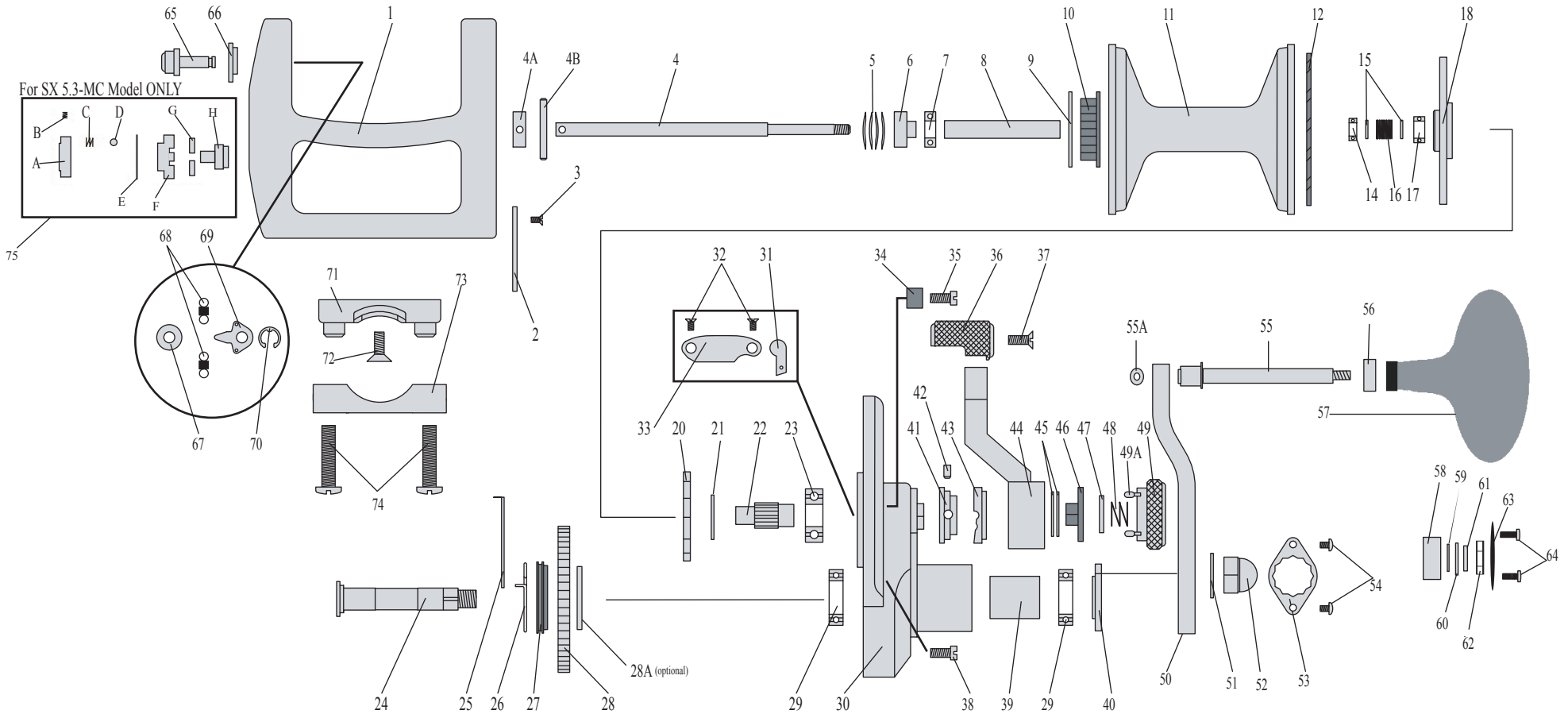


# Models SX 5.3 Parts List

## Models SX 5.3-MC Parts List (rev. 6-09)



1 - Main Housing	SX5.3-001	15 - Spool Spring Washer (2 req.)	SX5.3-015	30 - End Housing	SX5.3-030	45-Teflon Washer (2req.)	SX5.3-045	58- Knob Bearing	SX5.3-058	73- Clamp	SX5.3-073
2 - Gear cover	SX5.3-002	16 - Spool Spring	SX5.3-016	31 - Dog	SX5.3-031	46- Drive Washer	SX5.3-046	59- Knob Washer (optional)	SX5.3-059	74- Clamp Screws (2 req.)	SX5.3-074
3 - Cover Screw (2 req.)	SX5.3-003	17 - Brake Bearing	SX5.3-017	32 - Dog Cover Screw (2 req.)	SX5.3-032	47- Preset Washer	SX5.3-047	60- Spring Washer	SX5.3-060	75- MC ASSY :	SX5.3-075
4 - Spool Shaft	SX5.3-004	18 - Brake Disk	SX5.3-018	33 - Dog Cover	SX5.3-033	48- Preset Sprin	SX5.3-048	61- Lock Washer	SX5.3-061	A- MC knob	
4A-Shaft Shoulder	SX5.3-004A	20 - Antireverse Gear	SX5.3-020	34 - Stop Pin (2 req.)	SX5.3-034	49- Preset Knob	SX5.3-049	62- Nut	SX5.3-062	B- MC Screw	
4B-Shaft Pin	SX5.3-004B	21 - Disk Ring	SX5.3-021	35 - Pin Screw (2 req.)	SX5.3-035	49A- Preset Knob Detent (2 req.)	SX5.3-049A	63- Knob Cap	SX5.3-063	C- MC Spring	
5 - Belleville Washers (6 req.)	SX5.3-005	22 - Pinion Gear	SX5.3-022	36 - Handle Knob	SX5.3-036	50- Crank Arm	SX5.3-050	64- Knob Cap Screws (2 req.)	SX5.3-064	D- MC Ball	
6 - Pusher Bushing	SX5.3-006	23 - Pinion Bearing	SX5.3-023	37 - Knob Screw	SX5.3-037	51- Crank Arm Washer	SX5.3-051	65- Clicker Pin	SX5.3-065	E- MC Washer	
7 - Spool Bearing	SX5.3-007	24 - Drive Shaft	SX5.3-024	38 - End Housing Screw (3 req.)	SX5.3-038	52- Acorn Nut	SX5.3-052	66- Clicker Housing	SX5.3-066	F- MC housing	
8 - Spool Tube	SX5.3-008	25 - Connection Arm	SX5.3-025	39 - Drive Shaft Tube	SX5.3-039	53- Locking Plate	SX5.3-053	67- Clicker Washer	SX5.3-067	G- MC stator	
9 - Clicker Gear Retainer Ring	SX5.3-009	26 - Friction Ring	SX5.3-026	40 - Drive Shaft Washer	SX5.3-040	54- Locking Plate Screws (2 req.)	SX5.3-054	68- Clicker Spring (2 req.)	SX5.3-068	H- MC shaft	
10- Clicker Gear	SX5.3-010	27 - Friction Washer	SX5.3-027	41 - Male Cam	SX5.3-041	55A- Handle Shaft Washer	SX5.3-055A	69- Clicker Arm	SX5.3-069		
11- Spool	SX5.3-011	28 - Drive Shaft Gear	SX5.3-028	42 - Male Cam Pin (3 req.)	SX5.3-042	55- Handle Knob Shaft	SX5.3-055	70- Pin E Clip	SX5.3-070		
12- Brake Pad	SX5.3-012	28A - Drive Shaft Gear Washer	SX5.3-028A	43 - Female Cam	SX5.3-043	56- Handle Shaft Bearing	SX5.3-056	71- Reel Foot	SX5.3-071		
14- Spool Bearing	SX5.3-014	29 - Drive Shaft Bearing (2 req.)	SX5.3-029	44 - Lever Arm	SX5.3-044	57- Handle Knob	SX5.3-057	72- Reel Foot Screw	SX5.3-072		