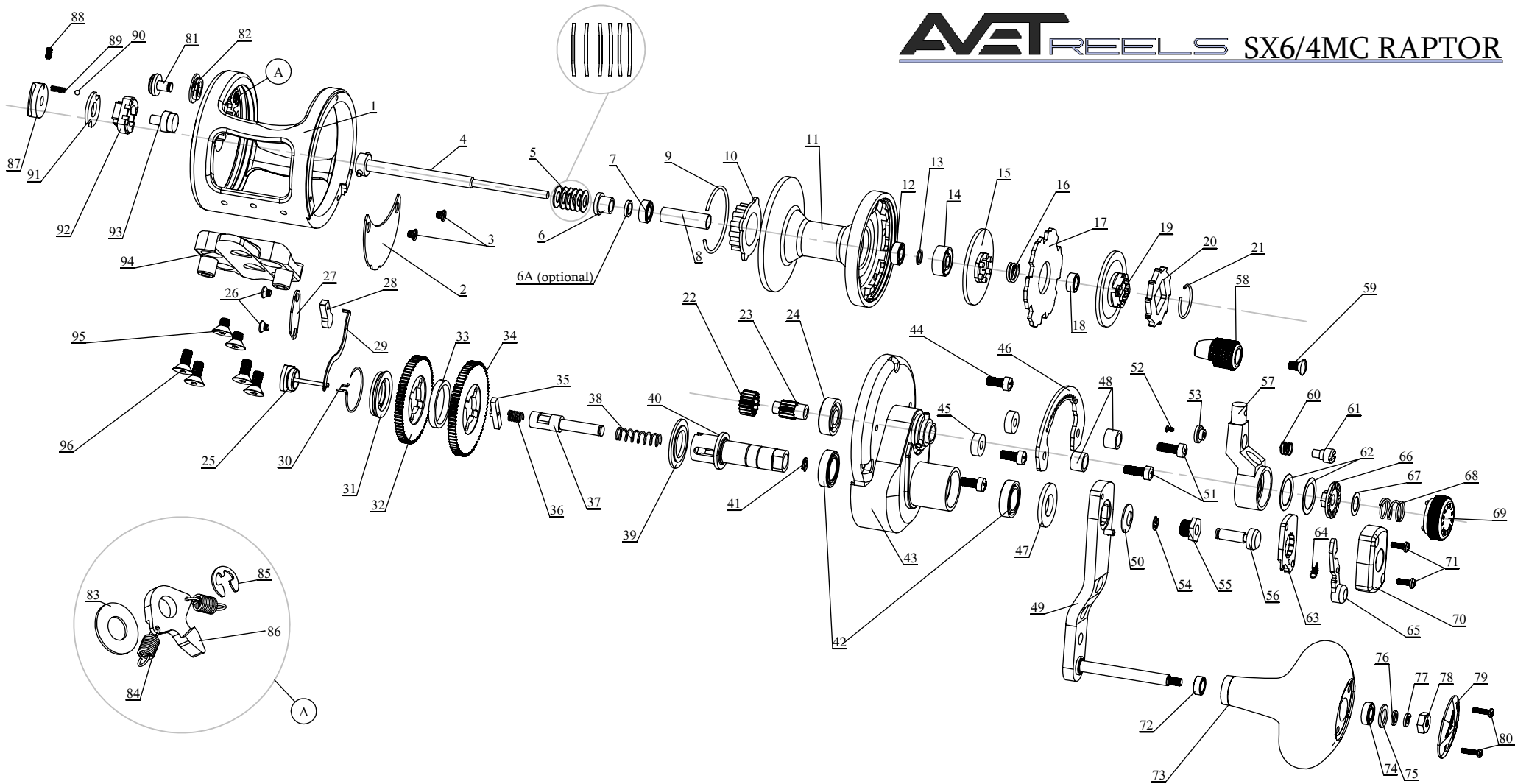


# AVET REELS SX6/4MC RAPTOR



01 – Main House	19 – Outer Brake Disk	38 – Drive Shaft Spring	57 – Lever Arm	76 – Lock Washer	96 – Rad Mount Screws A (2req.)
02 – Gear Cover	20 – Antireverse Gear	39 – Washer RT	58 – Lever Head	77 – Spring Washer	97 – Rad Mount Screws B (4 req.)
03 – Cover Screw (2 req.)	21 – Disk Ring	40 – Drive Shaft	59 – Drive Shaft	78 – Nut	
04 – Spool Shaft	22 – Large Pinion Gear	41 – Drive Shaft E-clip	60 – Spring	79 – Handle Cap	
05 – Belleville Washers (6 req.)	23 – Small Pinion Gear	42 – Drive Shaft Bearing (2 req.)	61 – Strike Bypass Button	80 – Handle Cap Screw (2 req.)	
06 – Pusher Bushing	24 – Drive Shaft Stop Nut	43 – End Housing	62 – Teflon Washer (2req.)	81 – Clicker	
06A – Washer (optional)	25 – Drive Shaft Stop Nut	44 – End Housing Screws (3 req.)	63 – Lock Plate	82 – Clicker Housing	
07 – Spool Bearing	26 – Dog Cover Screw (2 req.)	45 – Spacer (2req)	64 – Release Arm Spring	83 – Clicker Washer	
08 – Spool Bush	27 – Dog Cover	46 – Slide Plate	65 – Release Arm	84 – Clicker Spring (2 req.)	
09 – Knob Retainer Ring	28 – Dog	47 – Drive Shaft Washer	66 – Drive Washer	85 – E-Clip	
10 – Spool Knob	29 – Connection Arm	48 – Lever Arm Stopper (2 req.)	67 – Preset Knob Washer	86 – Clicker Arm	
11 – Spool	30 – Friction Ring	49 – Crank Arm	68 – Preset Knob Spring	87 – MC Knob	
12 – Spool Bearing	31 – Washer LF	50 – Crank Arm Washer	69 – Preset Knob	88 – MC screw	
13 – Spool Spring Washer (2 req.)	32 – Drive Shaft Small Gear	51 – Plate Screws (2 req.)	70 – Push Knob Cover	89 – MC Spring	
14 – Inner Bearing	33 – Washer MDL	52 – Lever Screws	71 – Cover Screws (2 req.)	90 – MC Ball	
15 – Inner Brake	34 – Drive Shaft Big Gear	53 – Lever Bush	72 – Handle Shaft Bearing	91 – MC Washer	
16 – Spring	35 – Fork	54 – Push Knob E-Clip	73 – Handle Knob	92 – MC Housing	
17 – Brake Pad	36 – Fork Spring	55 – Crank Arm Nut	74 – Handle Knob Bearing	93 – MC Shaft	
18 – Outer Bearing	37 – Pusher	56 – Push Knob	75 – Washer	94 – Rad Mount	